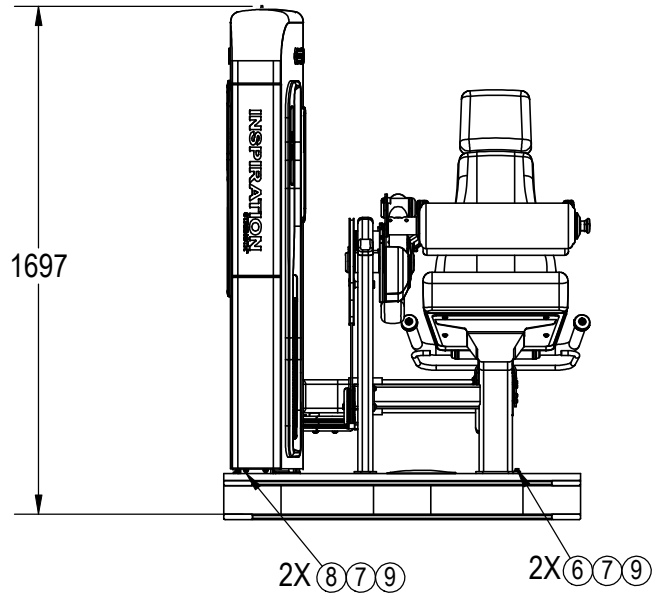
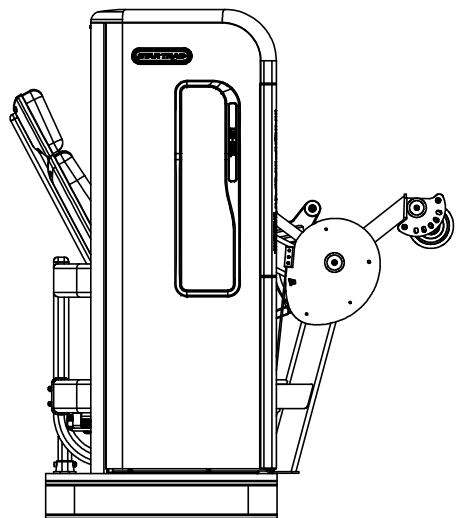
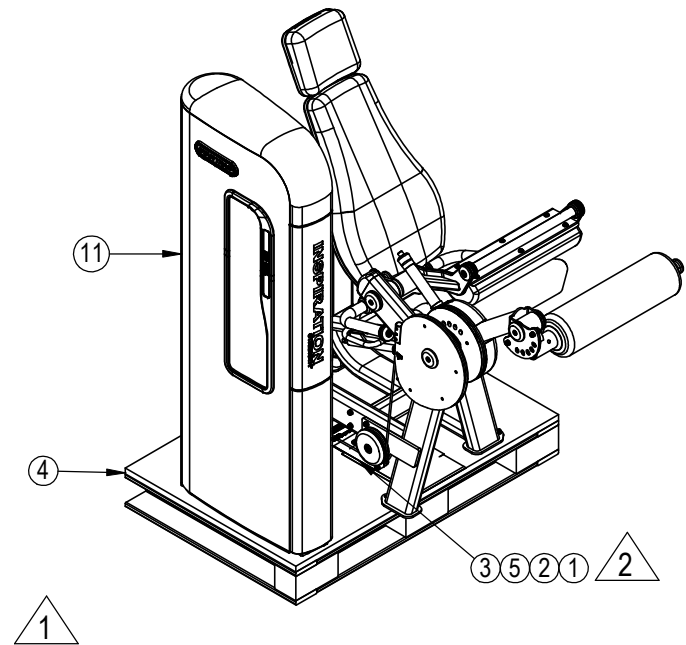
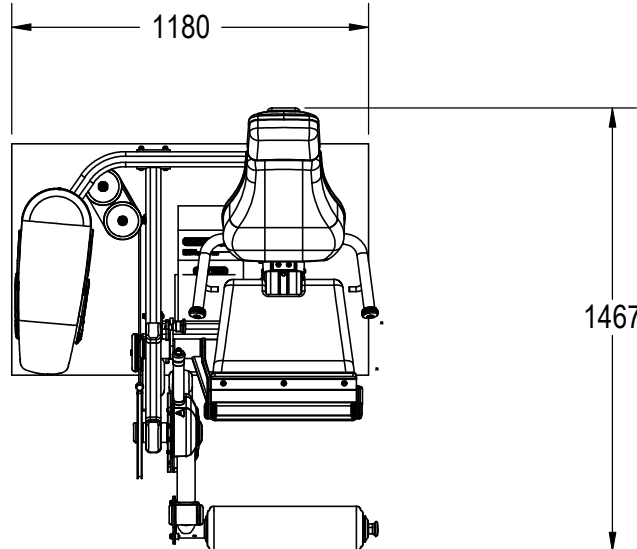


9 8 7 6 5 4 3 2 1

- NOTES:
- 1 PLACE SHIPPING LABELS (ITEM 10) ON PACKAGED UNIT BEFORE SHRINK WRAPPING, PLACE "LIFT THIS SIDE" STICKER ON WEIGHT STACK END.
 - 2 PLACE ITEMS 1, 2, AND 3 INSIDE ITEM 5.
 - 3. USE ITEMS 6, 7, 8, AND 9 TO SECURE ITEM 12 TO PALLET (ITEM 4), PLACE ITEM 7 AGAINST POWDERCOAT OF ITEM 12.
 - 4. ITEM 12 NOT SHOWN IN PACKAGED CONFIGURATION.

REVISION HISTORY				
REV	DATE	DESCRIPTION	ECO	BY
A	05-19-10	RELEASE FOR PRODUCTION	13288	AE



ITEM NO.	PART NUMBER	DESCRIPTION	QTY.
1	620-7929	MANUAL, INSTALL, LEG CURL, IP-S1315	1
2	620-7942	MANUAL, OWNERS, IP	1
3	620-7943	CARD,REG,WARRANTY, IP	1
4	731-0178	PALLET,765 x 1180 x 152	1
5	731-0246	BAG,225mm X 332mm	1
6	731-0256	SCREW,M6,25mm,W,HE,ZP	2
7	731-0294	WASHER,M8,NYLON	4
8	731-0354	SCREW,M8 X 1.25,25MM,HHM,HE	2
9	731-0355	WASHER,PLAIN,M8,NARROW	4
10	731-1661	PACKING KIT, SEATED LEG CURL	1
11	IP-S1315-XXXXS	ASSY, LEG CURL	1

NOTICE OF PROPRIETARY INFORMATION
 THIS DOCUMENT SHALL NOT BE REPRODUCED NOR SHALL THE INFORMATION CONTAINED HEREIN BE USED BY OR DISCLOSED TO OTHER EXCEPT AS EXPRESSLY AUTHORIZED BY UNISEN INC, D.B.A. STAR TRAC.

**DOCUMENT STATUS:
 RELEASE**

CLASS OF WORK	UNLESS OTHERWISE SPECIFIED DIMS ARE IN mm. TOLERANCES FOR MEASURE OF LENGTH ARE:							ANGLES = ±2°		
	0.5 to 3	>3 to 6	>6 to 30	>30 to 120	>120 to 400	>400 to 1000	>1000 to 2000	>2000		
FINE	±0.05	±0.05	±0.1	±0.15	±0.2	±0.3	±0.5	----		
MEDIUM X	±0.1	±0.1	±0.2	±0.3	±0.5	±0.8	±1.2	±2		
COARSE	±0.2	±0.3	±0.5	±0.8	±1.2	±2	±3	±4		
VERY COARSE	----	±0.5	±1	±1.5	±2.5	±4	±6	±8		

MATERIAL
SEE BOM

FINISH
N/A

VENDOR: **N/A** P/N: **N/A**

THIRD ANGLE PROJECTION		
DRAWN	INITIAL AE	DATE 05/10/10
CHECKED		
APPROVED		

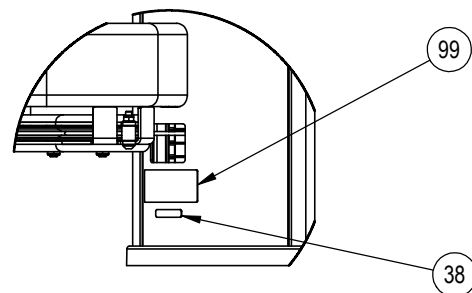
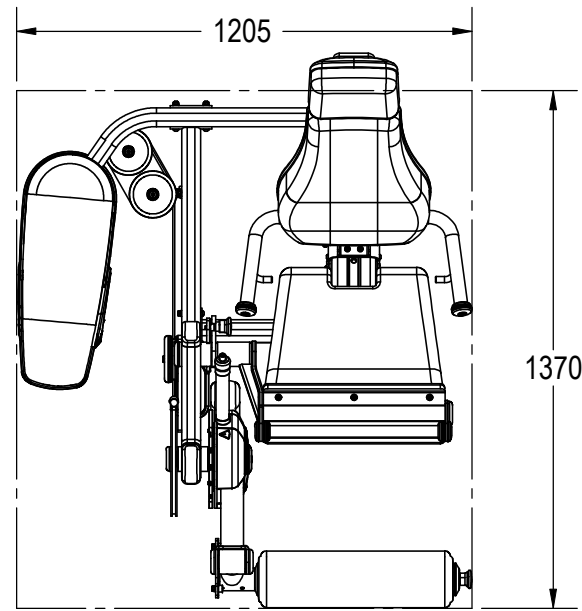
UNISEN, INC. DBA 14410 Myford Road
STAR TRAC Irvine CA 92606

STARTRAC PART NO. **9IP-S1315-XXXXS** REV **A**

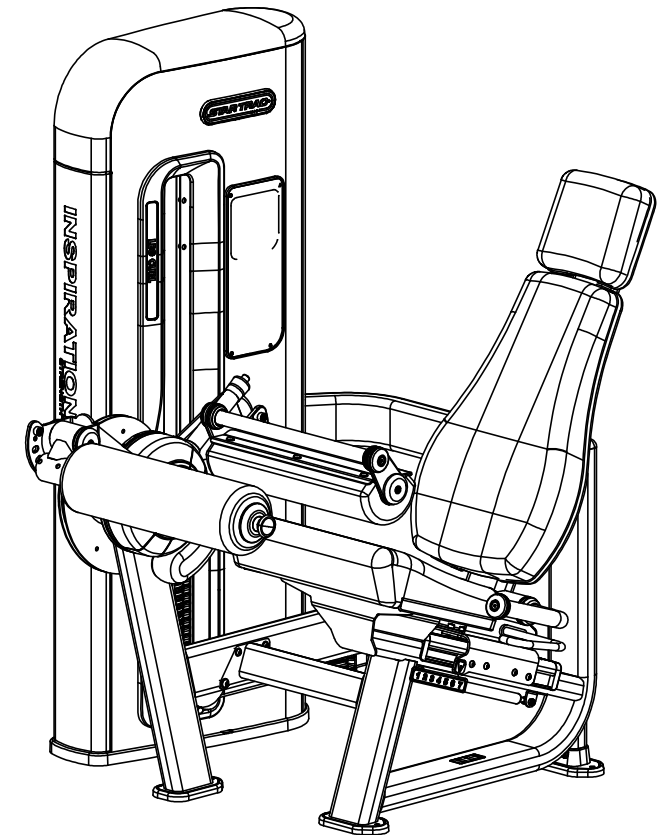
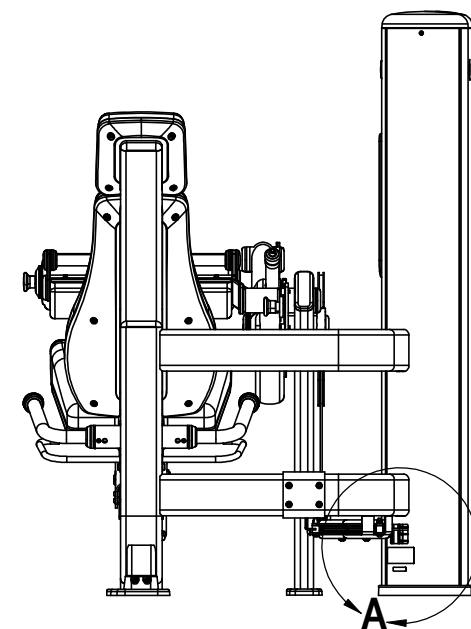
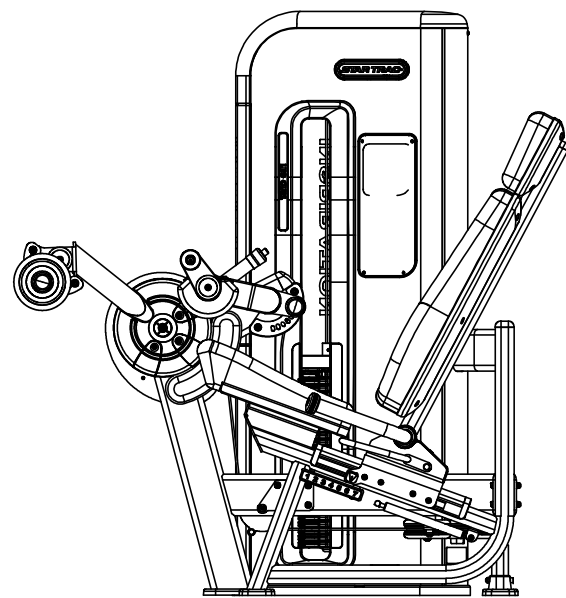
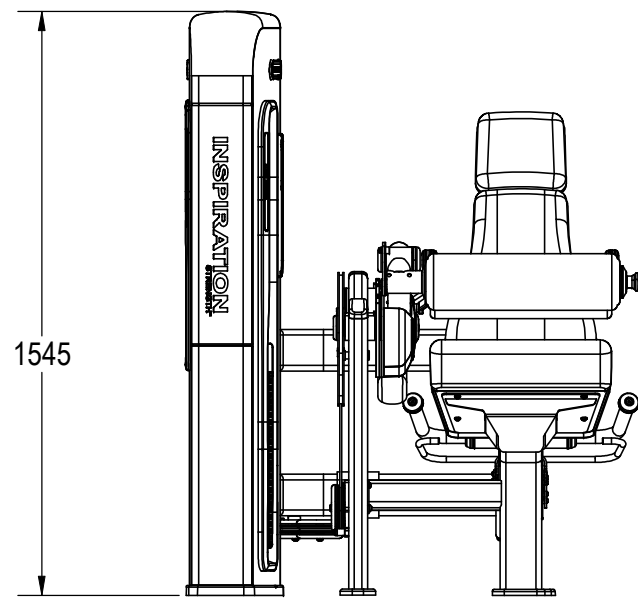
TITLE: **IP,SSS,SEATED LEG CURL**

SCALE: 1:25 | SHEET 1 OF 1 | SHEET SIZE: B

9 8 7 6 5 4 3 2 1



DETAIL A
SCALE 1 : 10



REVISION HISTORY				
REV	DATE	DESCRIPTION	ECO	BY
A	07-01-09	RELEASE FOR PRODUCTION	12220	RLH
B	11-04-09	REMOVED PARTS: 731-00125, 731-0138, 731-0170-XX, 731-0171-XX, 731-0600, 731-1210, 731-1219, 731-1221, 731-1222, 731-1279, 731-1288, 731-1248, 731-1439 ADD PARTS: 731-0126, 731-0305, 731-0335, 731-0416, 731-0418, 731-0420, 731-0437, 731-0506, 731-0583, 731-0630, 731-0677, 731-0680, 731-0804-XX, 731-0805-XX, 731-0872, 731-1278, 731-1280, 731-1281 COUNT CHANGE: 731-0120, 731-0127, 731-0368, 731-0373, 731-0379, 731-0557, 731-0560, 731-0561, 731-0562, 731-0731, 731-1248, 731-1265	12309	RLH
C	02-17-10	REMOVE PARTS: 731-0202-XX, 731-0279, 731-0288-XX, 731-0291, 731-0292, 731-0382, 731-0398, 731-0648, 731-0651, 731-0677, 731-0849-XX, 731-1261, 731-1268, 731-1278, 731-1284-XX, 731-1363, 731-1440 ADD PARTS: 731-0229-XX, 731-0267, 731-0351, 731-0395, 731-0652, 731-0660, 731-0767-XX, 731-0769, 731-0801, 731-0813, 731-0815, 731-0816-XX, 731-0819, 731-0840-XX, 731-0844-XX, 731-0846, 731-0868, 731-0958, 731-0959, 731-0961, 731-0964, 731-0966, 731-0968, 731-1004, 731-1028, 731-1029, 731-1030 CHANGE COUNT: 731-0208, 731-0355, 731-0363, 731-0367, 731-0373, 731-0374, 731-0397 (ECO-13170)	12320	RLH
D	03-24-10	IS PN:731-0967 WAS 731-0267, REMOVE 731-0685 PUSH TO 9IP-LEVEL	13231	RLH
E	05-19-10	DELETED 731-0041, ADD NOTE 2, ADD 731-0509	13268	TD

NOTICE OF PROPRIETARY INFORMATION
THIS DOCUMENT SHALL NOT BE REPRODUCED NOR SHALL THE INFORMATION CONTAINED HEREIN BE USED BY OR DISCLOSED TO OTHER EXCEPT AS EXPRESSLY AUTHORIZED BY UNISEN INC, D.B.A. STAR TRAC.

DOCUMENT STATUS:
RELEASE

- NOTES:
- ASSEMBLY AND INSPECTION PER S.O.P. 620-7918
 - INSTALL Kg. STICKER AND AFFIX Lb. STICKER TO INSIDE OF SHROUD WITH TAPE.

CLASS OF WORK	UNLESS OTHERWISE SPECIFIED DIMS ARE IN mm. TOLERANCES FOR MEASURE OF LENGTH ARE:							ANGLES = ±2°
	0.5 to 3	> 3 to 6	> 6 to 30	> 30 to 120	> 120 to 400	> 400 to 1000	> 1000 to 2000	
FINE	±0.05	±0.05	±0.1	±0.15	±0.2	±0.3	±0.5	----
MEDIUM	±0.1	±0.1	±0.2	±0.3	±0.5	±0.8	±1.2	±2
COARSE	±0.2	±0.3	±0.5	±0.8	±1.2	±2	±3	±4
VERY COARSE	----	±0.5	±1	±1.5	±2.5	±4	±6	±8

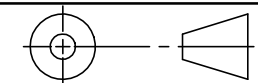
MATERIAL
SEE BOM

FINISH
SEE NOTES

VENDOR: N/A

P/N: N/A

THIRD ANGLE PROJECTION



DRAWN	INITIAL RLH	DATE 06/10/09
CHECKED		
APPROVED		
	U.O.M.	MM

UNISEN, INC. DBA



14410 Myford Road
Irvine CA 92606

STARTRAC PART NO

IP-S1315-XXXXS

REV

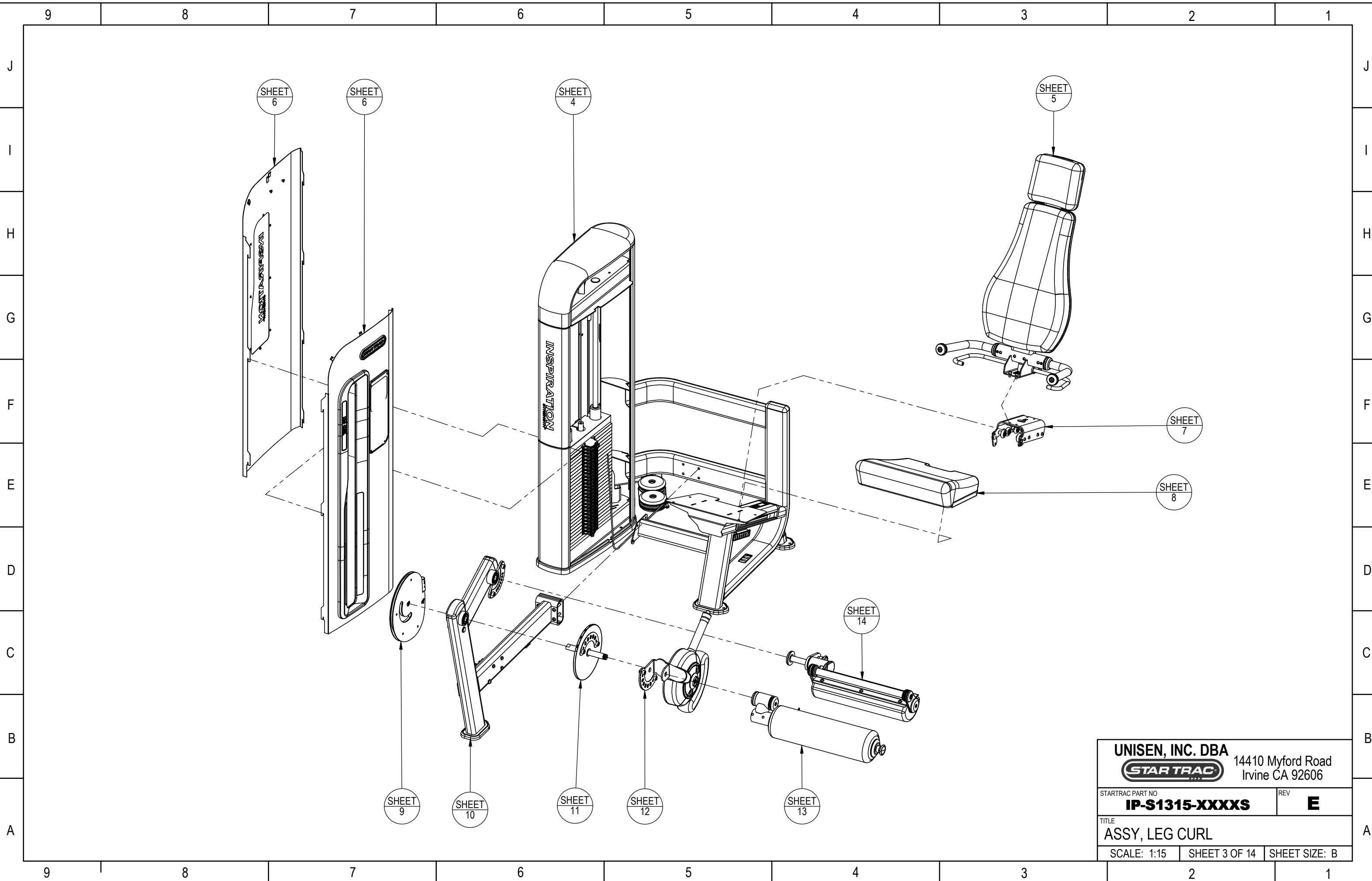
E

TITLE
ASSY, LEG CURL

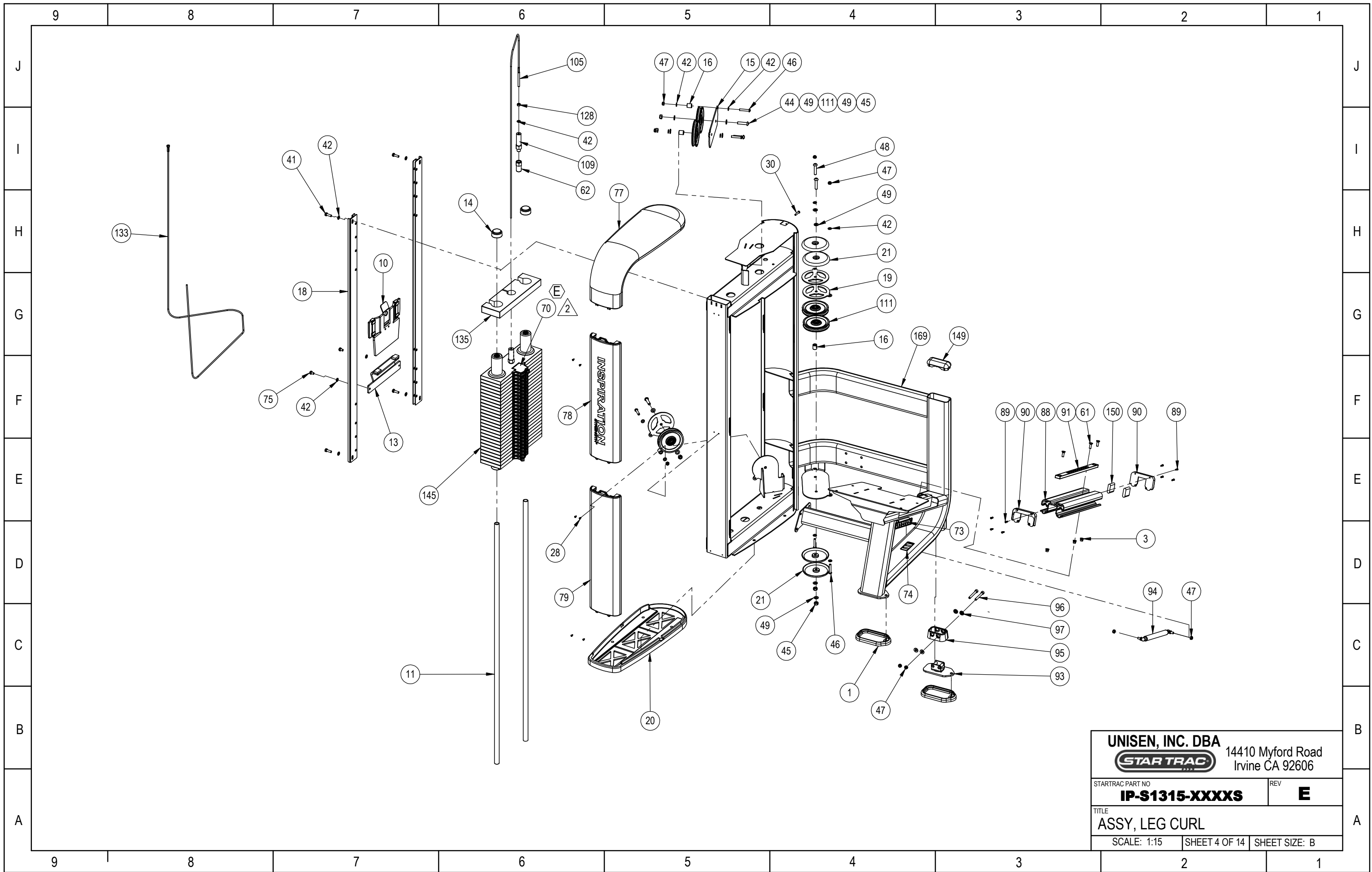
SCALE: 1:20


SHEET 1 OF 14

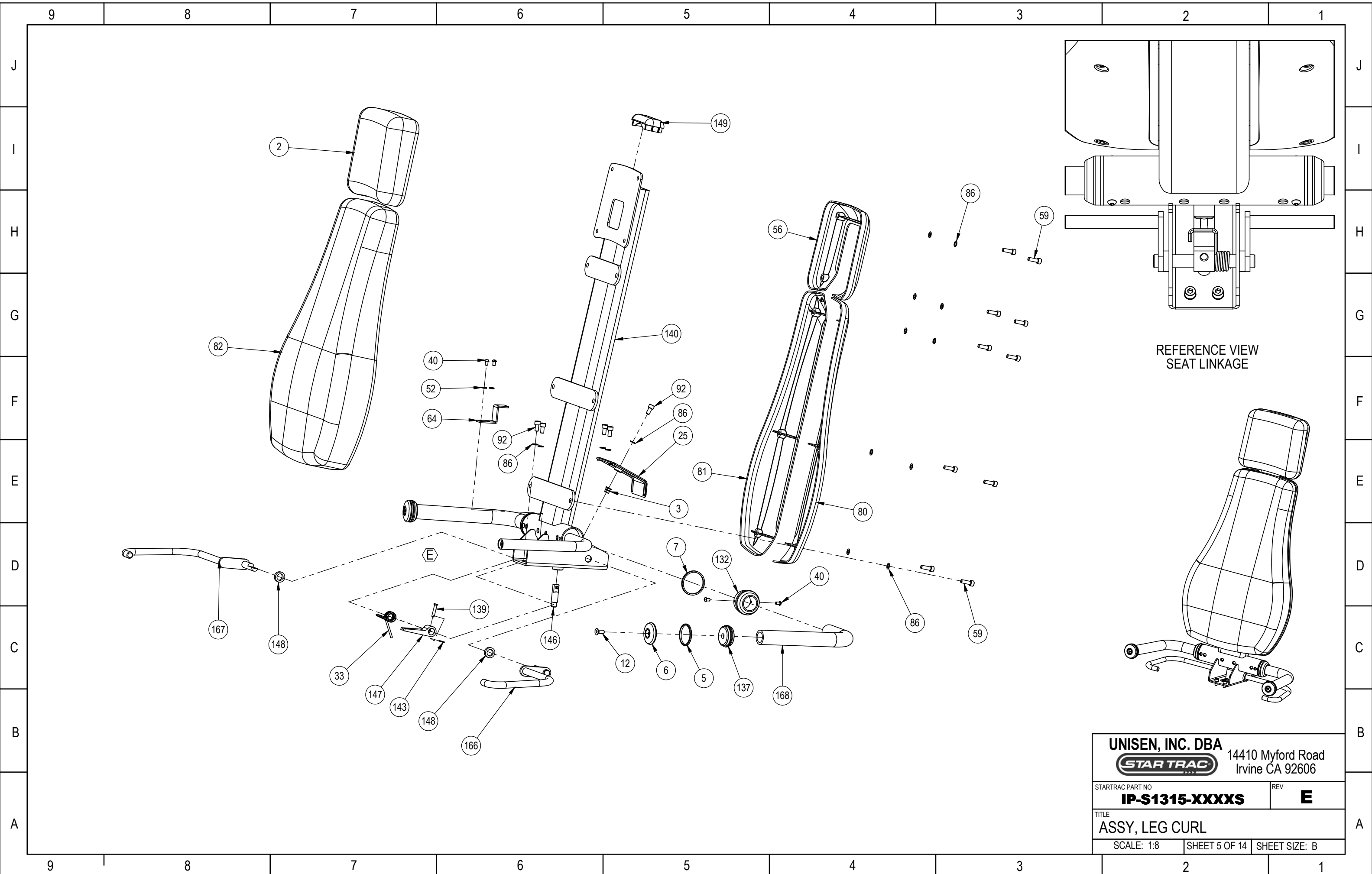
SHEET SIZE: B




UNISEN, INC. DBA		14410 Myford Road Irvine CA 92606	
STAR TRAC			
STARTRAC PART NO	IP-S1315-XXXXS		REV E
TITLE ASSY, LEG CURL			
SCALE: 1:15	SHEET 3 OF 14	SHEET SIZE: B	

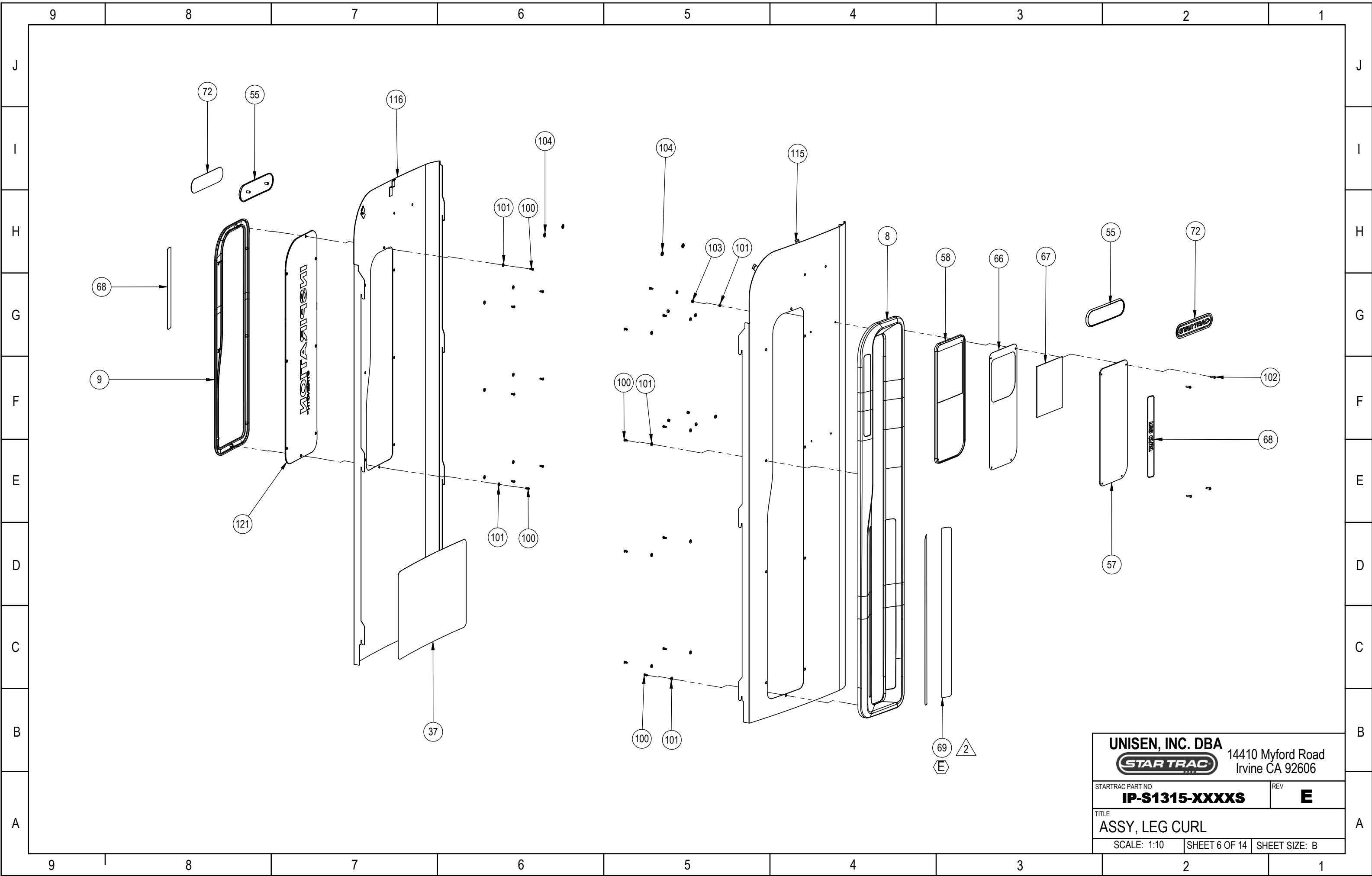



UNISEN, INC. DBA 		14410 Myford Road Irvine CA 92606	
STARTRAC PART NO IP-S1315-XXXXS		REV E	
TITLE ASSY, LEG CURL			
SCALE: 1:15		SHEET 4 OF 14	SHEET SIZE: B

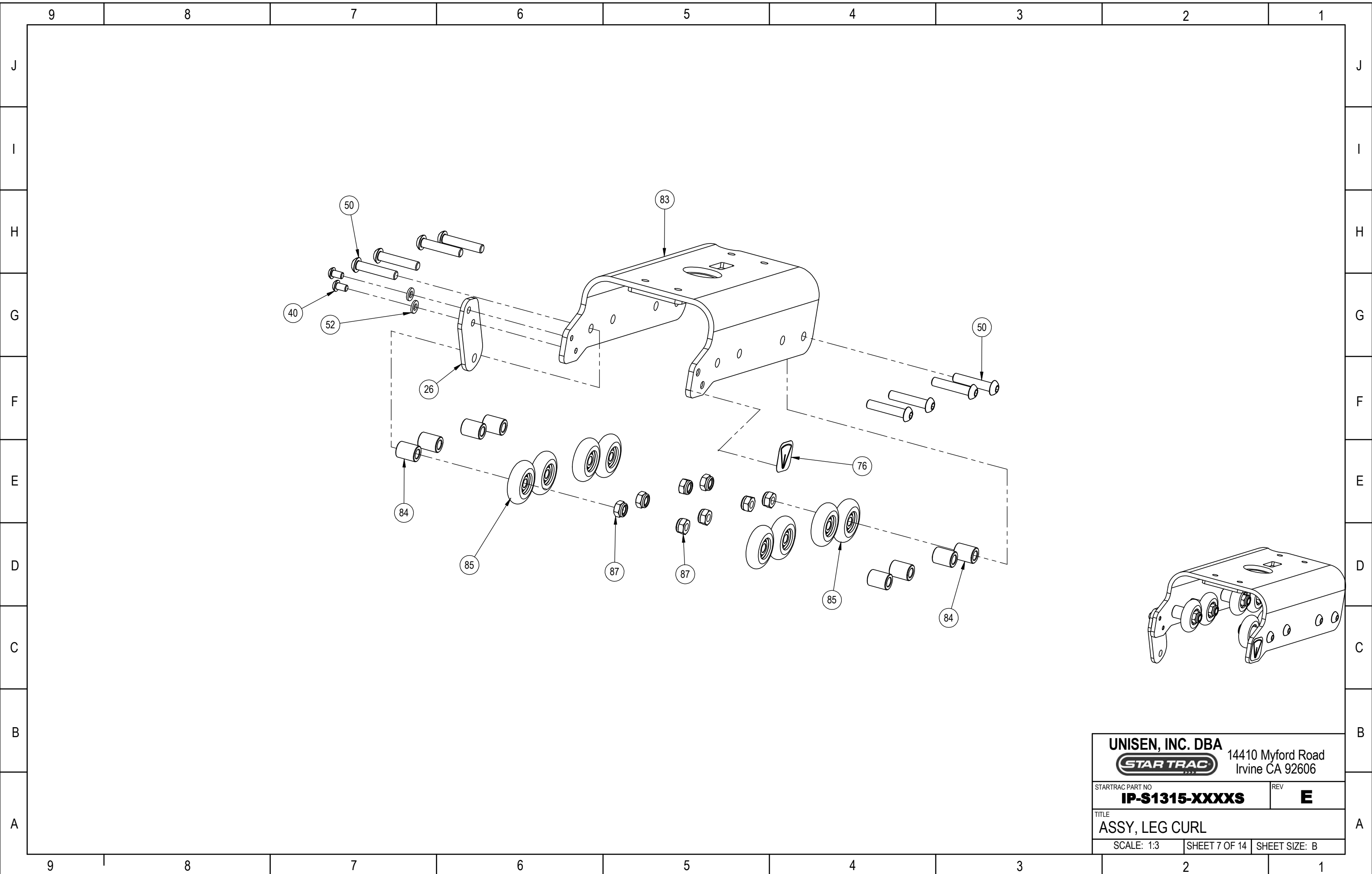


REFERENCE VIEW
SEAT LINKAGE

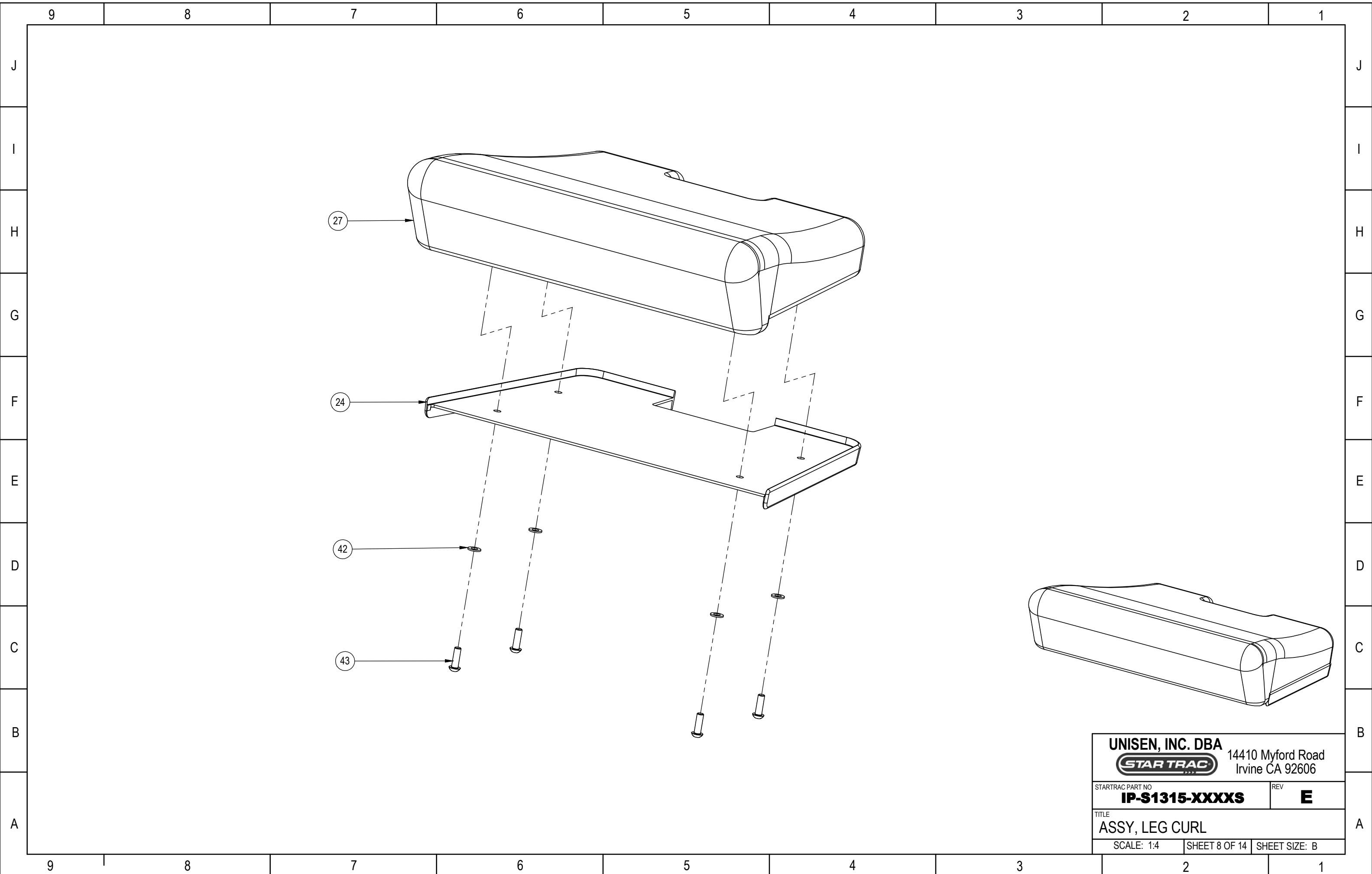
UNISEN, INC. DBA 		14410 Myford Road Irvine CA 92606	
STARTRAC PART NO IP-S1315-XXXXS		REV E	
TITLE ASSY, LEG CURL			
SCALE: 1:8	SHEET 5 OF 14	SHEET SIZE: B	



UNISEN, INC. DBA		14410 Myford Road Irvine CA 92606	
			
STARTRAC PART NO	IP-S1315-XXXXS		REV E
TITLE ASSY, LEG CURL			
SCALE: 1:10	SHEET 6 OF 14	SHEET SIZE: B	



UNISEN, INC. DBA		14410 Myford Road
STAR TRAC		Irvine CA 92606
STARTRAC PART NO	IP-S1315-XXXXS	REV E
TITLE ASSY, LEG CURL		
SCALE: 1:3	SHEET 7 OF 14	SHEET SIZE: B

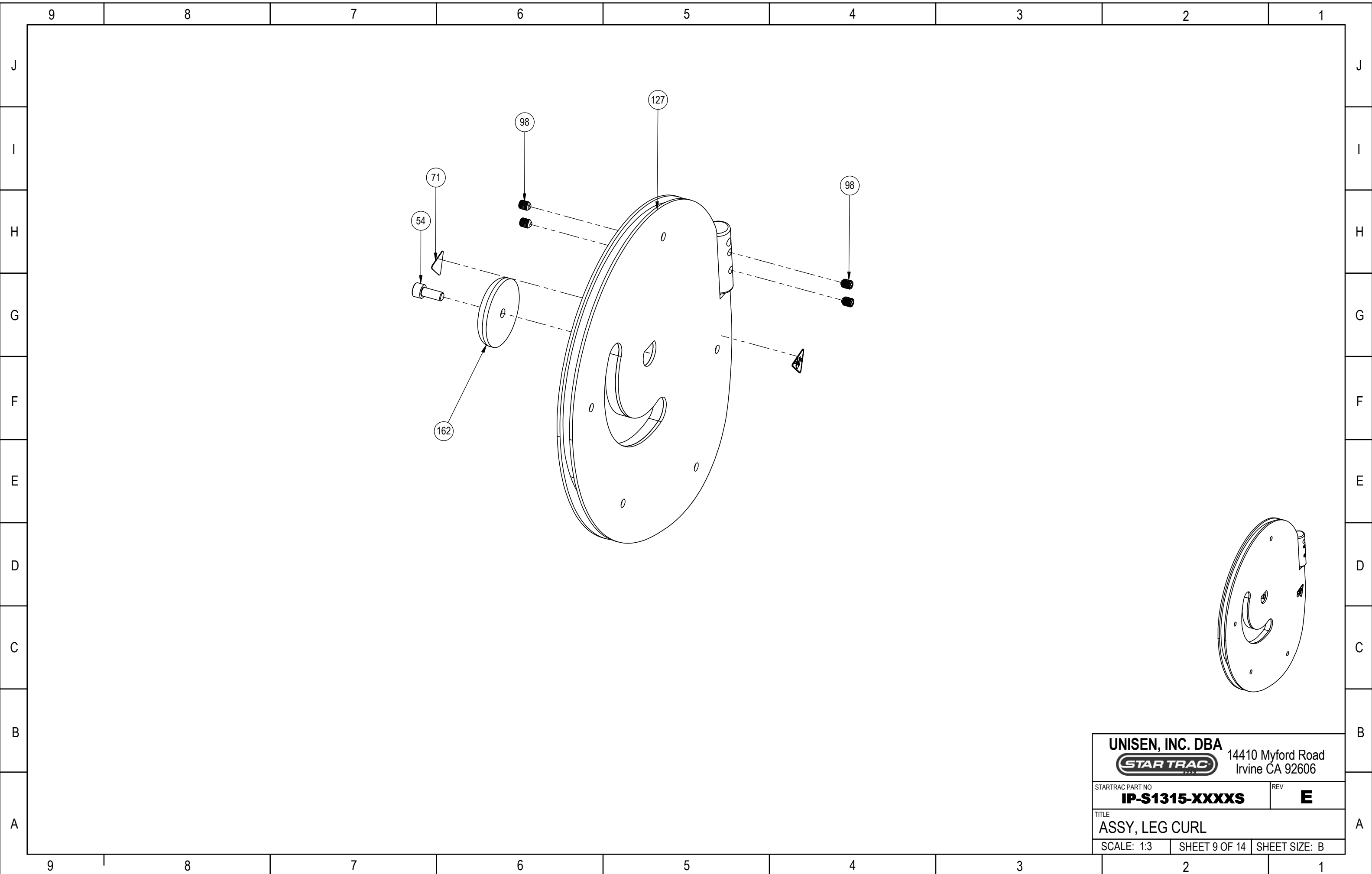


UNISEN, INC. DBA
STAR TRAC 14410 Myford Road
 Irvine CA 92606

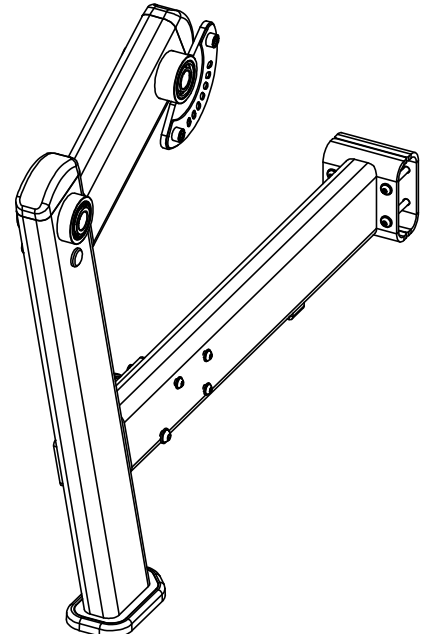
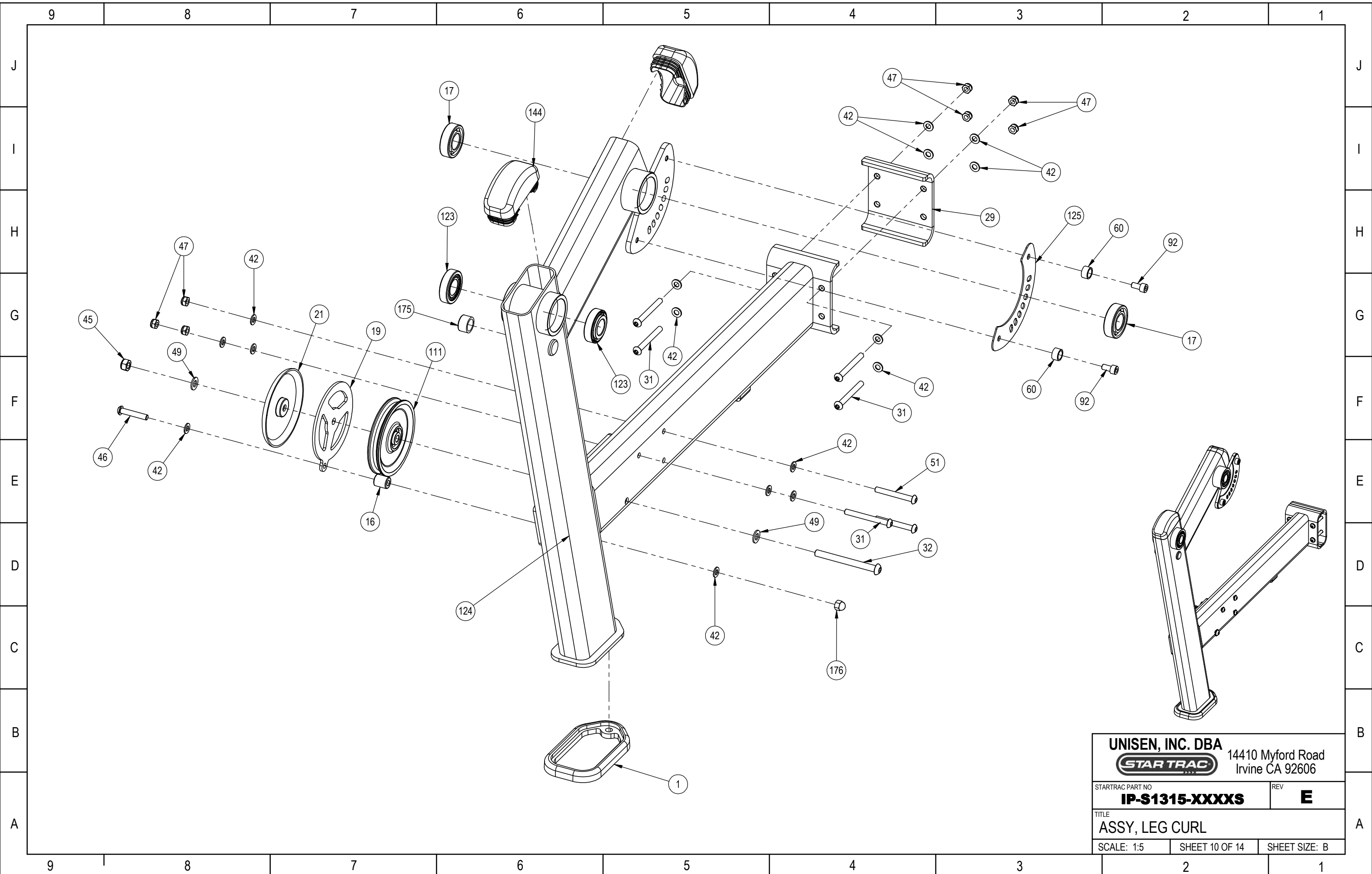
STARTRAC PART NO. **IP-S1315-XXXXS** REV **E**


TITLE
ASSY, LEG CURL

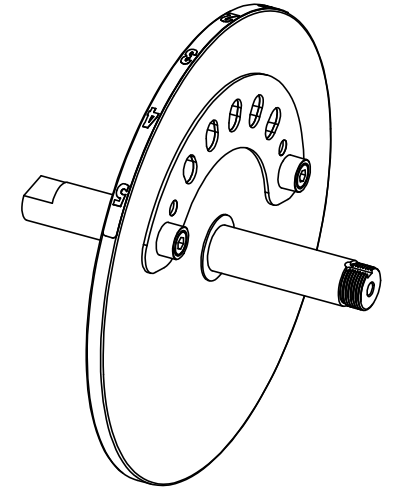
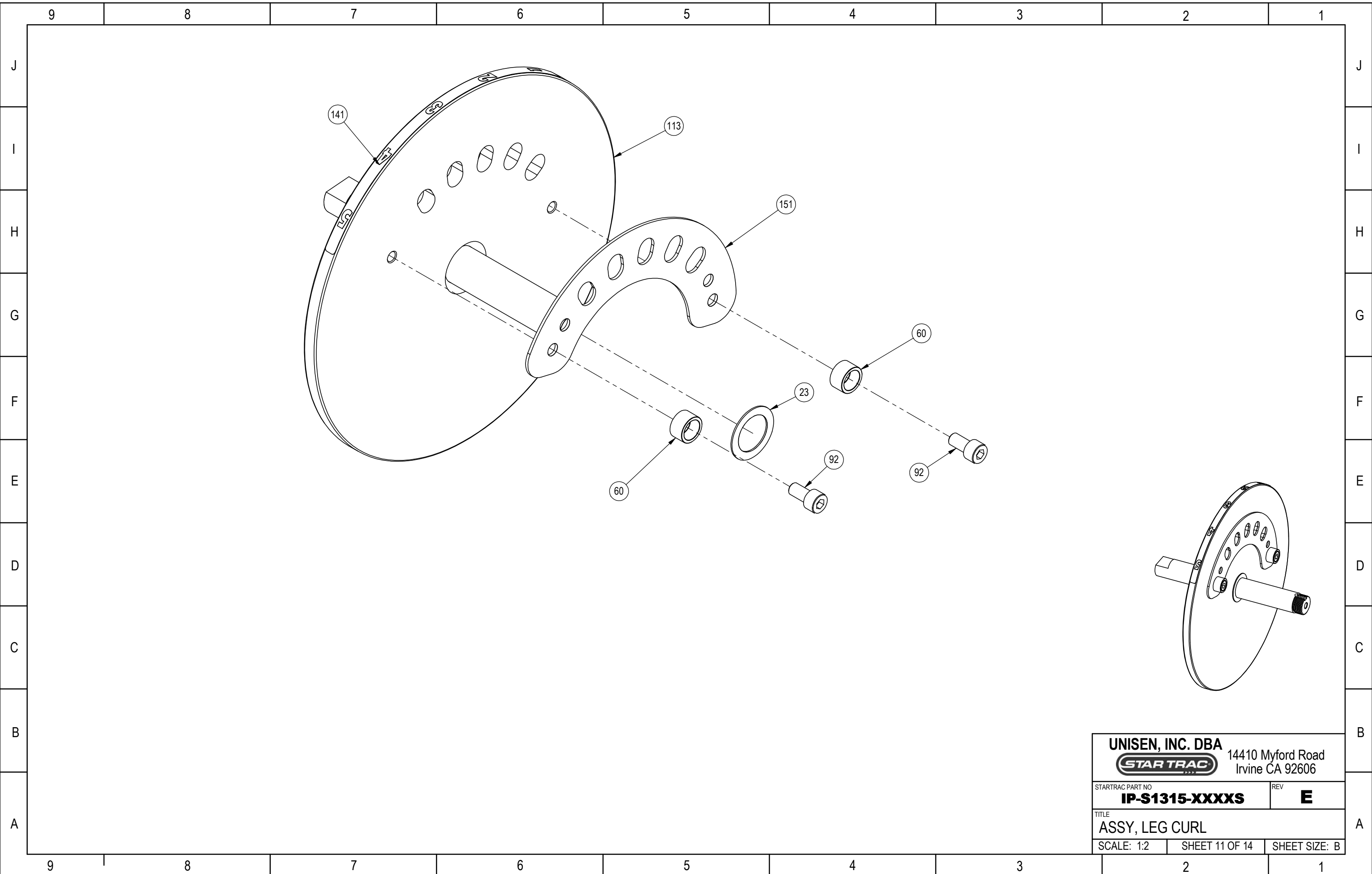
SCALE: 1:4 SHEET 8 OF 14 SHEET SIZE: B



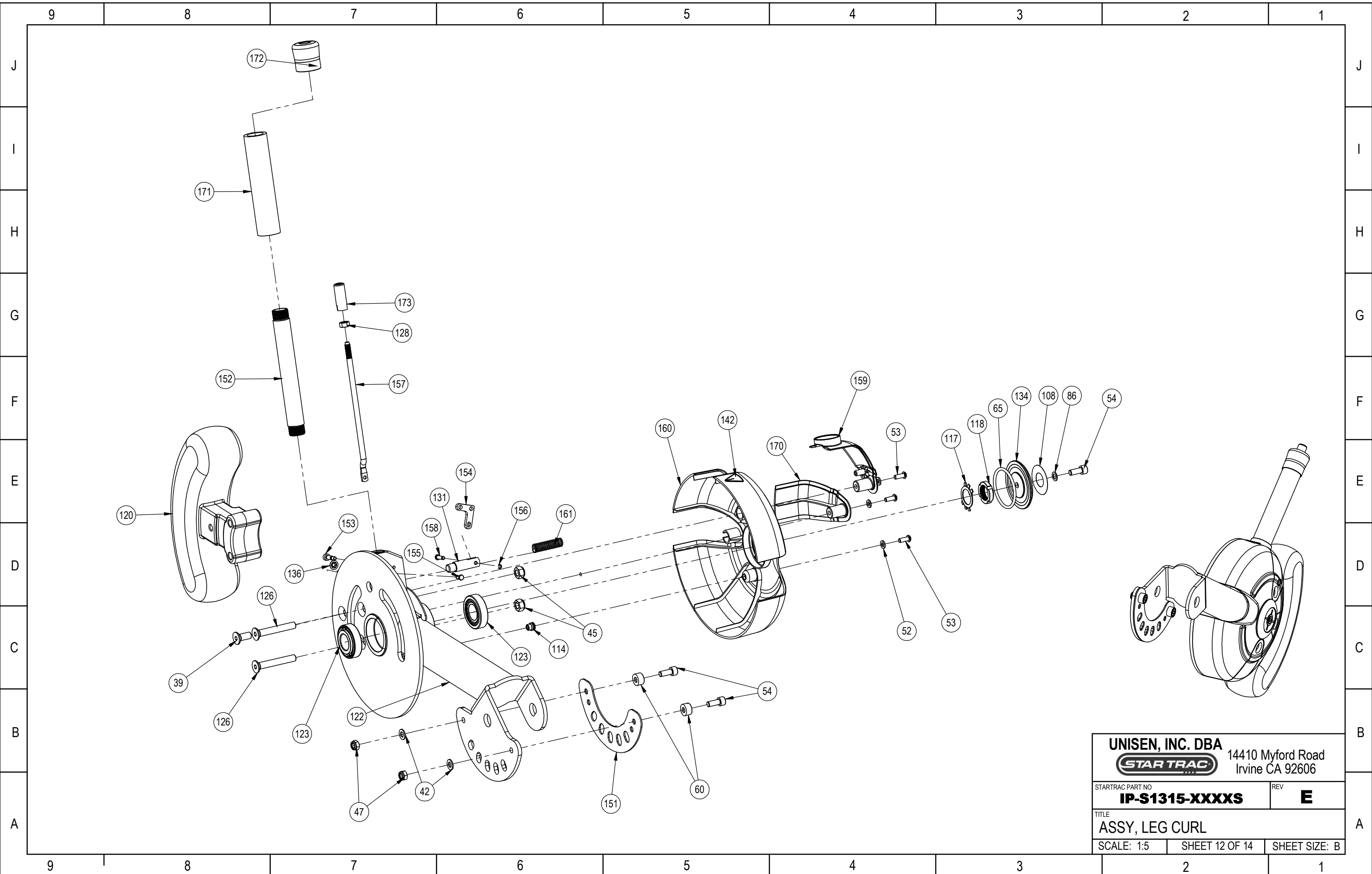
UNISEN, INC. DBA		14410 Myford Road Irvine CA 92606	
STAR TRAC			
STARTRAC PART NO	IP-S1315-XXXXS	REV	E
TITLE ASSY, LEG CURL			
SCALE: 1:3	SHEET 9 OF 14	SHEET SIZE: B	




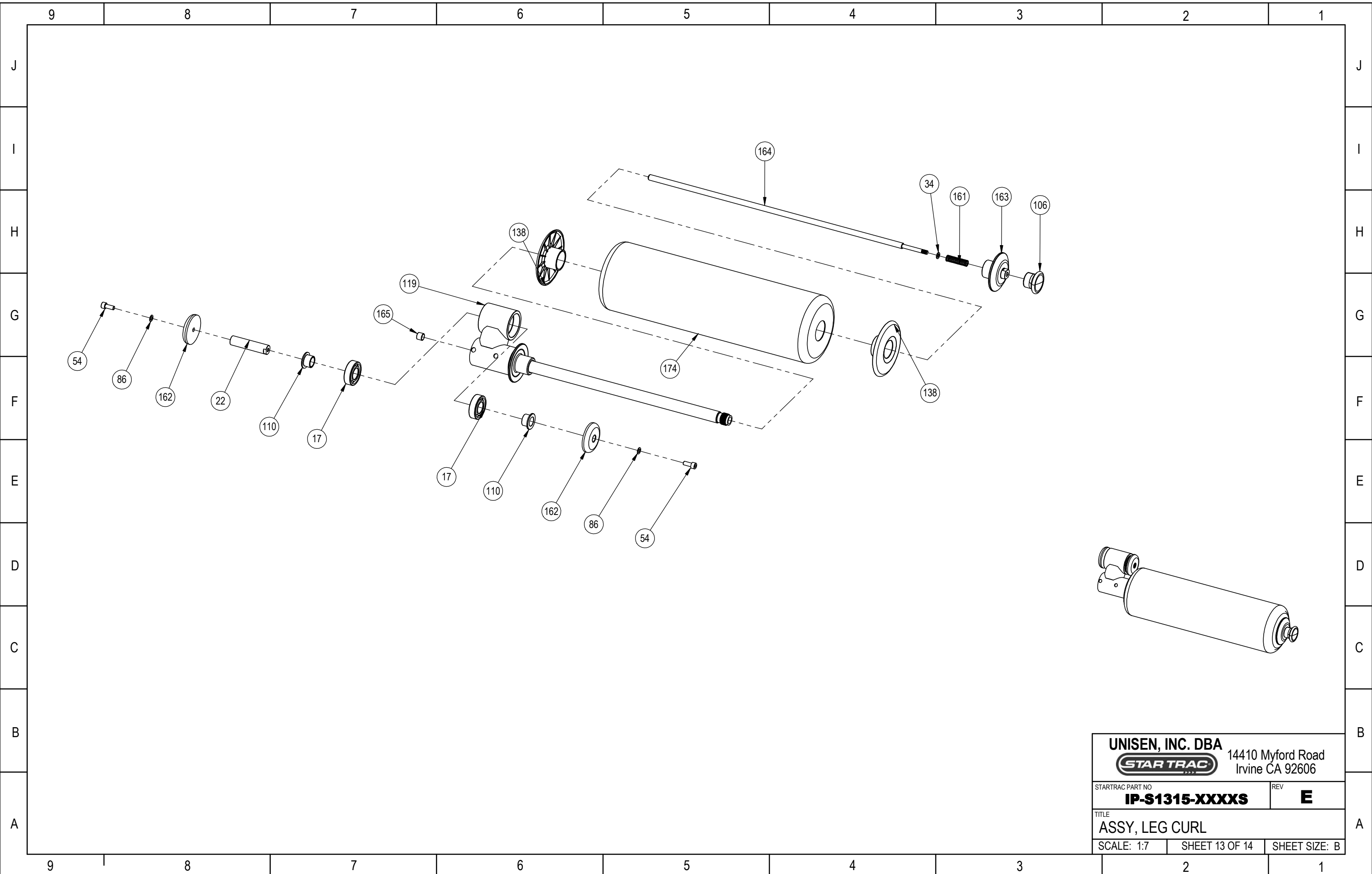
UNISEN, INC. DBA 		14410 Myford Road Irvine CA 92606	
STARTRAC PART NO IP-S1315-XXXXS		REV E	
TITLE ASSY, LEG CURL			
SCALE: 1:5	SHEET 10 OF 14	SHEET SIZE: B	



UNISEN, INC. DBA		14410 Myford Road Irvine CA 92606	
STARTRAC PART NO	IP-S1315-XXXXS	REV	E
TITLE ASSY, LEG CURL			
SCALE: 1:2	SHEET 11 OF 14	SHEET SIZE: B	

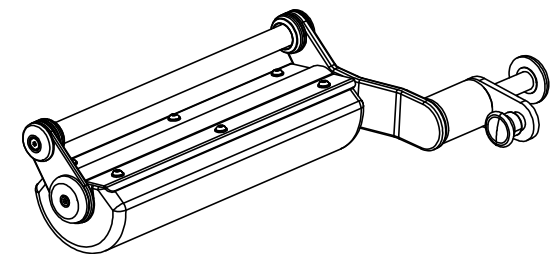
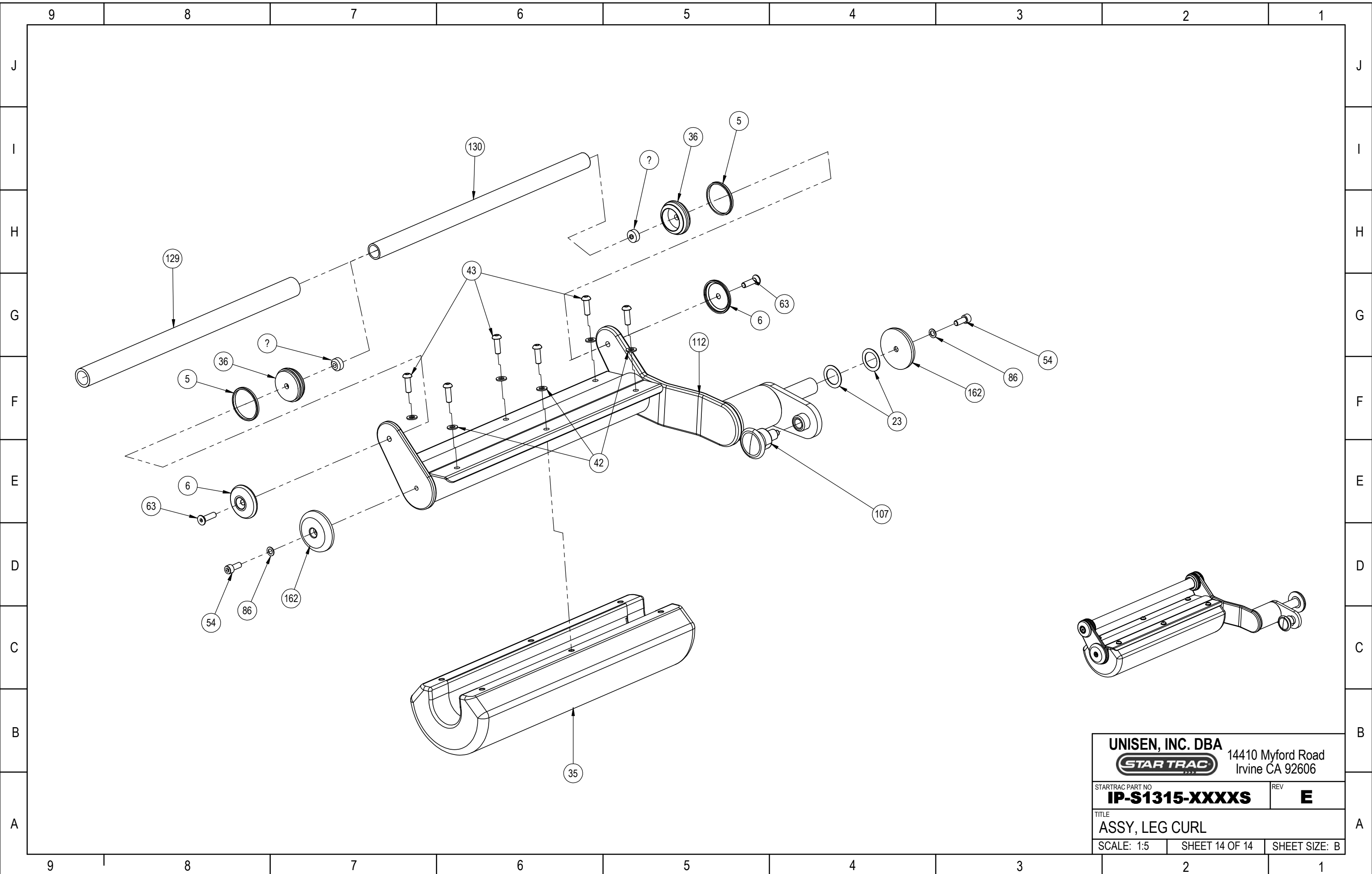



UNISEN, INC. DBA 		14410 Myford Road Irvine CA 92606	
STARTRAC PART NO IP-S1315-XXXXS		REV E	
TITLE ASSY, LEG CURL			
SCALE: 1:5	SHEET 12 OF 14	SHEET SIZE: B	



UNISEN, INC. DBA
STAR TRAC 14410 Myford Road
 Irvine CA 92606

STARTRAC PART NO	REV
IP-S1315-XXXXS	E
TITLE	
ASSY, LEG CURL	
SCALE: 1:7	SHEET 13 OF 14
SHEET SIZE: B	



UNISEN, INC. DBA 		14410 Myford Road Irvine CA 92606	
STARTRAC PART NO IP-S1315-XXXXS		REV E	
TITLE ASSY, LEG CURL			
SCALE: 1:5	SHEET 14 OF 14	SHEET SIZE: B	